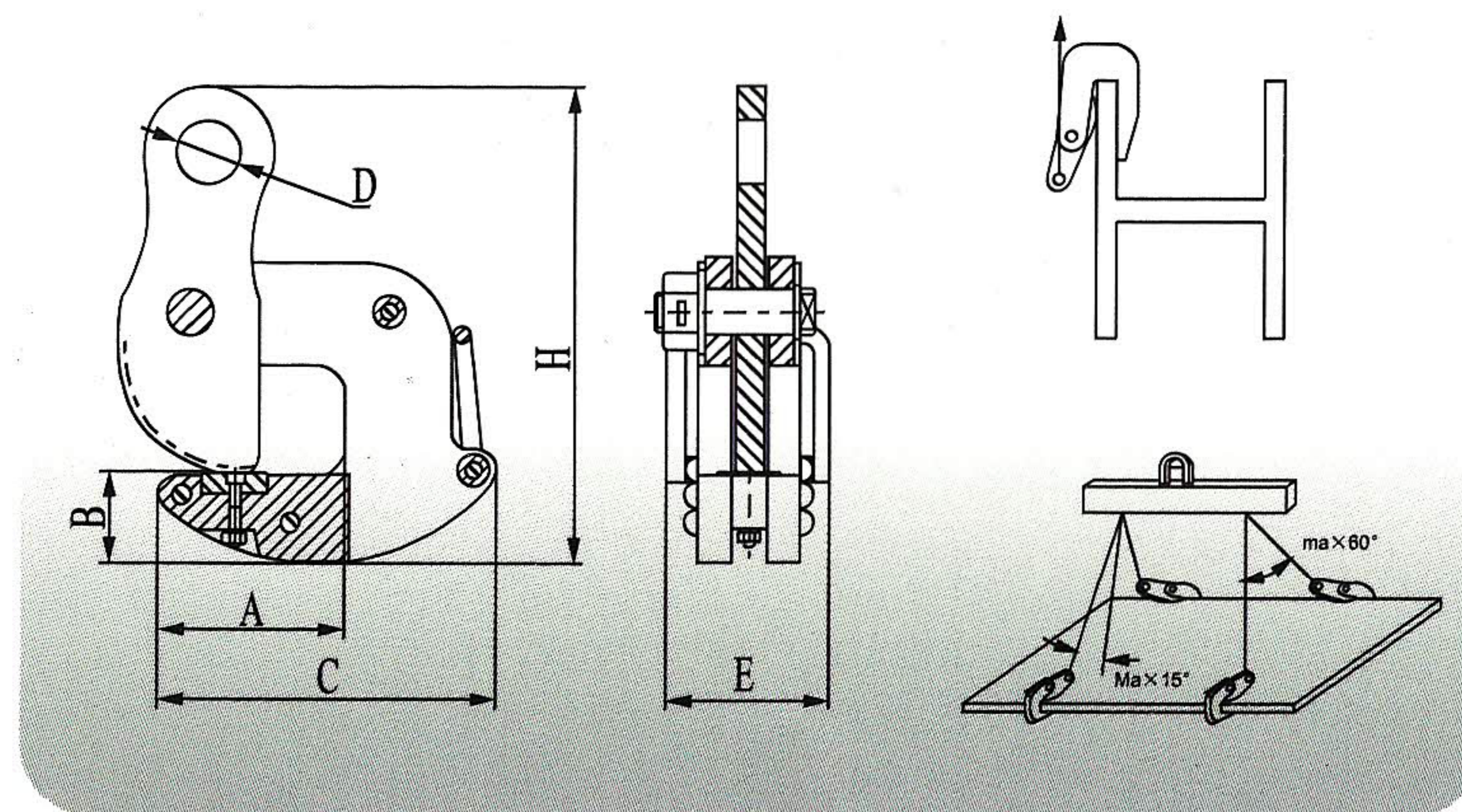


TURN CLAMPS



型号 Art.NO	额定载荷 Working load limit t/per pair	钢板厚度 Steel plate thickness mm	A mm	B mm	C mm	D mm	E mm	F mm	重量 Weight Kg
DFQ1.5	1.5	0~20	80	43	153	30	80	205	8
DFQ2.5	2.5	0~30	105	52	190	35	85	270	10
DFQ5	5	10~40	136	82	247	46	114	380	25
DFQ10	10	20~50	160	85	300	60	120	410	31

sketch map of the lifting



For lifting and turn steel plate.

Capacity range:1.5 ton-10 ton.

The working load limited is applied in one piece, during lifting single could be in use and lifting beam should in use for horizontal lifting and transport.

Avoid snatch or shock loading.

2 times WLL=Proof load, 4 times WLL=minimum breaking strength.